

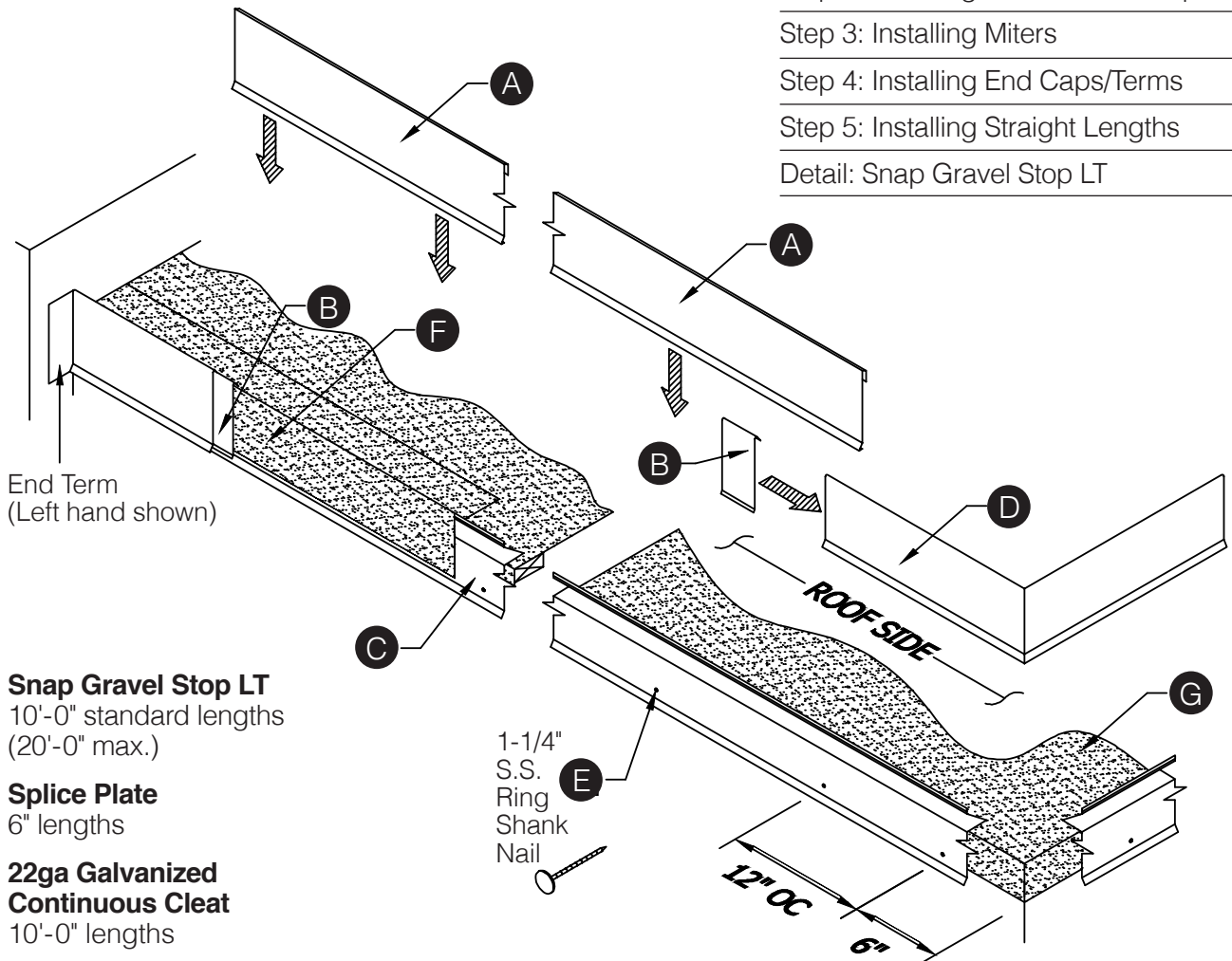
Assembly Overview:

Snap Gravel Stop LT Installation Guide

This guide is provided to assist you in the installation process. Additional assistance is available by calling us at 888-321-9630. Thank you for choosing Drexel Metals.

Contents:

Assembly Overview	1
Step 1: Installing 22ga Galv. Cleat	2
Step 2: Installing Cured Cover Strip	2
Step 3: Installing Miters	2
Step 4: Installing End Caps/Terms	3
Step 5: Installing Straight Lengths	3
Detail: Snap Gravel Stop LT	4



A Snap Gravel Stop LT
10'-0" standard lengths
(20'-0" max.)

B Splice Plate
6" lengths

**C 22ga Galvanized
Continuous Cleat**
10'-0" lengths

D Snap Gravel Stop Miter
(Outside corner shown)

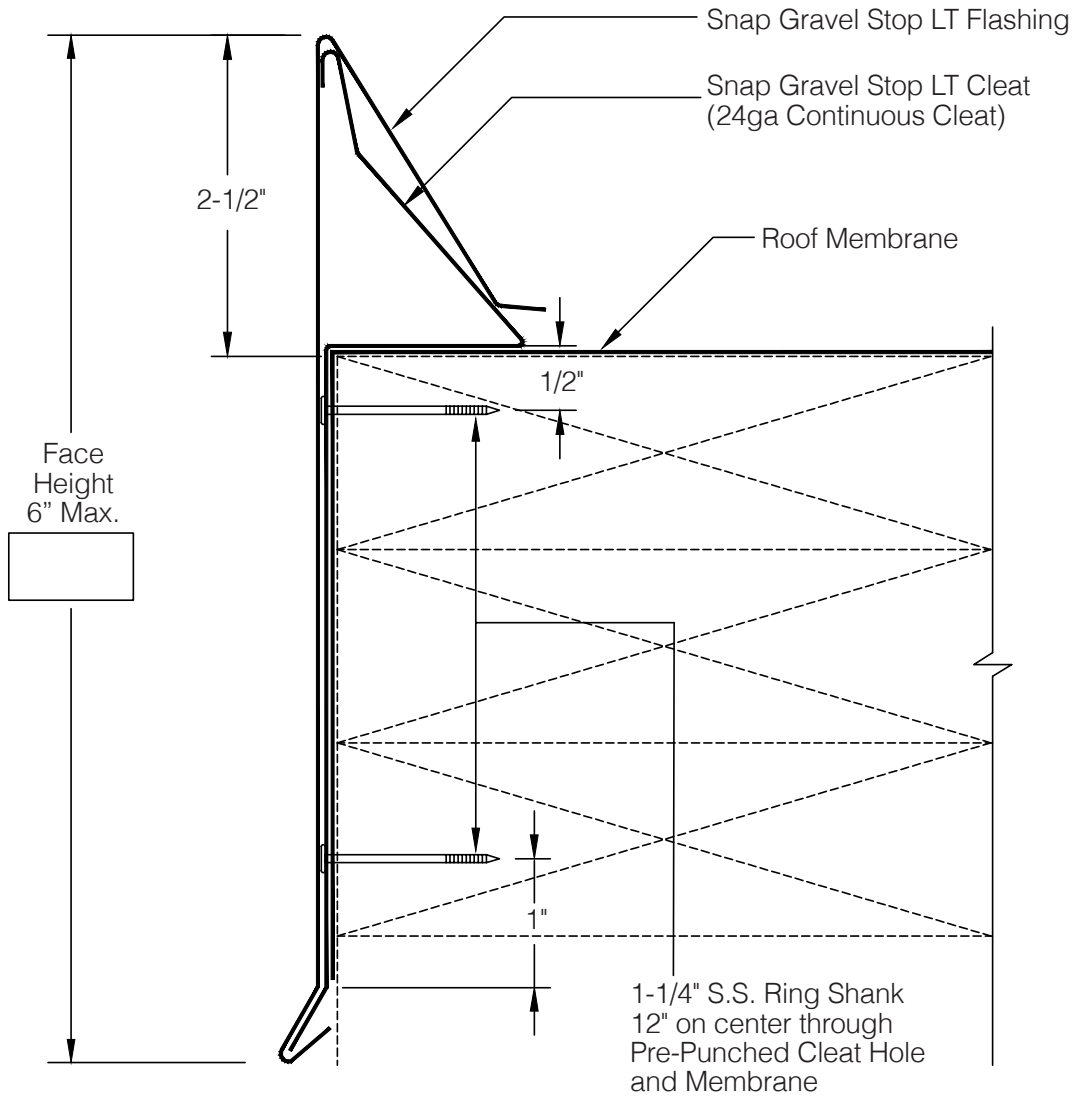
E 1-1/4" S.S. Ring Shank Nail
at 12" o.c. (6" from ends)
(Included and required)

F Pressure-Sensitive Cured Cover Strip
(By installer)

G Approved Roofing Membrane
(By installer)

Snap Gravel Stop LT

Detail: Snap Gravel Stop LT – performance series



Notes:

1. Isolate all metal parts from ACQ treated wood or other galvanically incompatible material with appropriate membrane material.
2. Appliance attachments, such as lightning rods, signs, or antennae that penetrate the water seal, induce a galvanic reaction, or otherwise compromise the effectiveness of the roof edge system, shall be eliminated or isolated to prevent problems per section 8.0 if ANSI/SPRI ES-1. Appliances should also be isolated from, or not attached to, the roof edge system. Consult the lightning protection system manufacturer for specific attachment instructions.

