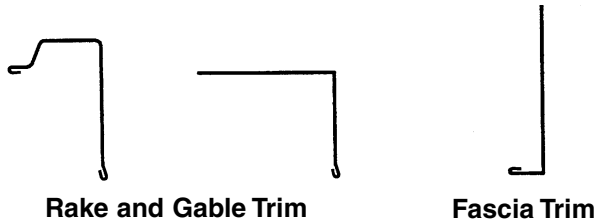


## Fascia Trim

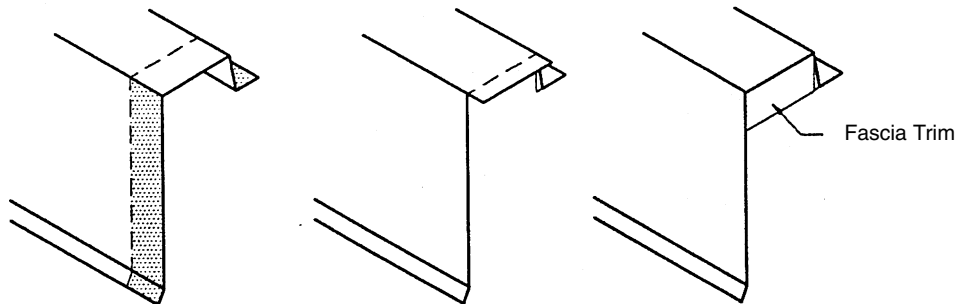
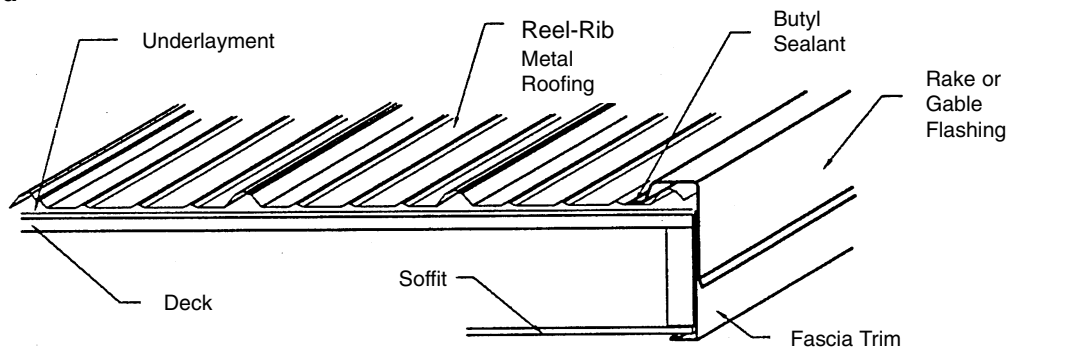
Attach fascia trim with galvanized flat screws or galvanized nails positioned to be under rake or gable flashing.

## Rake or Gable Flashing

Place butyl sealant to seal between roofing and gable or rake flashing. Attach with #9 X 1" metal to wood self-drilling screws spaced 12" on center.



## Recommended



Capping the Rake Trim

## Alternate

